

1x2 Polarization Beam Combiner/Splitter(PBS/PBC)-532nm, 633nm

Features

- Low Insertion Loss
- High Extinction Ratio
- High Stability and Reliability

Applications

- Amplifier
- Fiber Sensor
- Coherent Telecommunication Systems

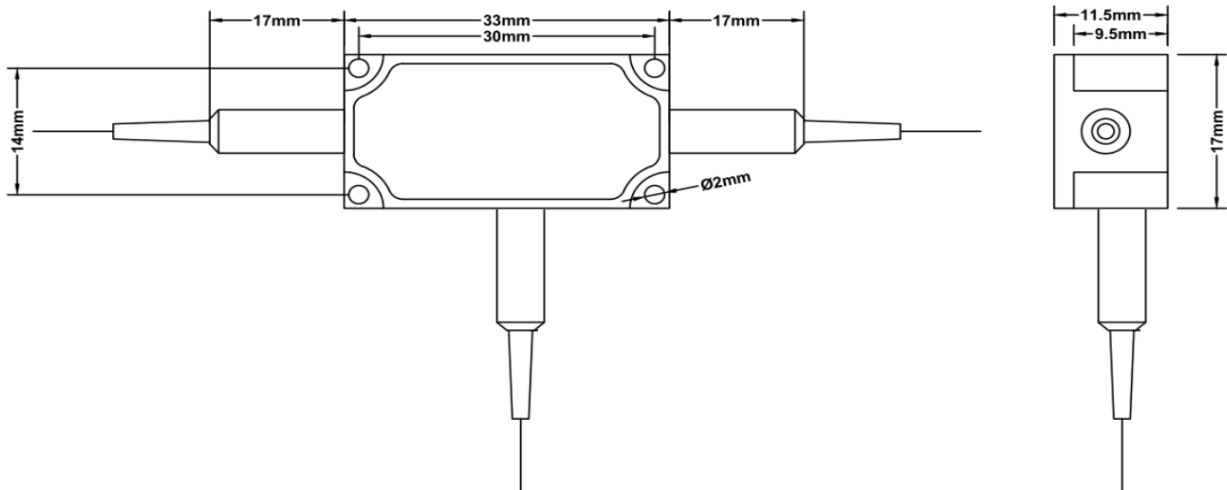
Specifications

Parameters	Unit	Grade P
Center Wavelength	nm	532, 633
Operating Bandwidth	nm	±15
Typ. Insertion Loss at 23°C	dB	1.3
Insertion Loss at 23°C (dB)	dB	≤1.6
Extinction Ratio at 23°C (only for PBS)	dB	≥18
Directivity	dB	≥50
Return Loss	dB	≥50
Power Handling	mW	≤300
Fiber Type	Port 1&2	PM460-HP
	Port 3	460-HP or PM460-HP
Fiber Length	m	0.8
Operating Temperature	°C	-5~+70
Storage Temperature	°C	-40 ~ +85
Dimensions	mm	33x17x11.5

*For devices with connectors, IL+0.4dB, RL-5dB, ER-2dB.

*The default connector key is aligned to slow axis.

Package Dimensions



Ordering Information

PBS/PBC- ①①①-②-③③③-④④④-⑤-⑥⑥⑥-⑦⑦

①	Port	1x2;
②	Grade	P=P Grade;
③	Wavelength	532; 633;
④	Pigtail Type	250=250um Fiber; 900=900um Loose Tube;
⑤	Fiber Type @ Port3	1=460-HP; 3=PM460-HP, Slow Axis Align to Port 1; 4=PM460-HP, Slow Axis Align 45°to Port 1;
⑥	Length	0.8=0.8m;
⑦	Connector	NE=None; FA=FC/APC; FC=FC/UPC; SA=SC/APC; SC=SC/UPC; LC=LC/UPC; XX=Others;